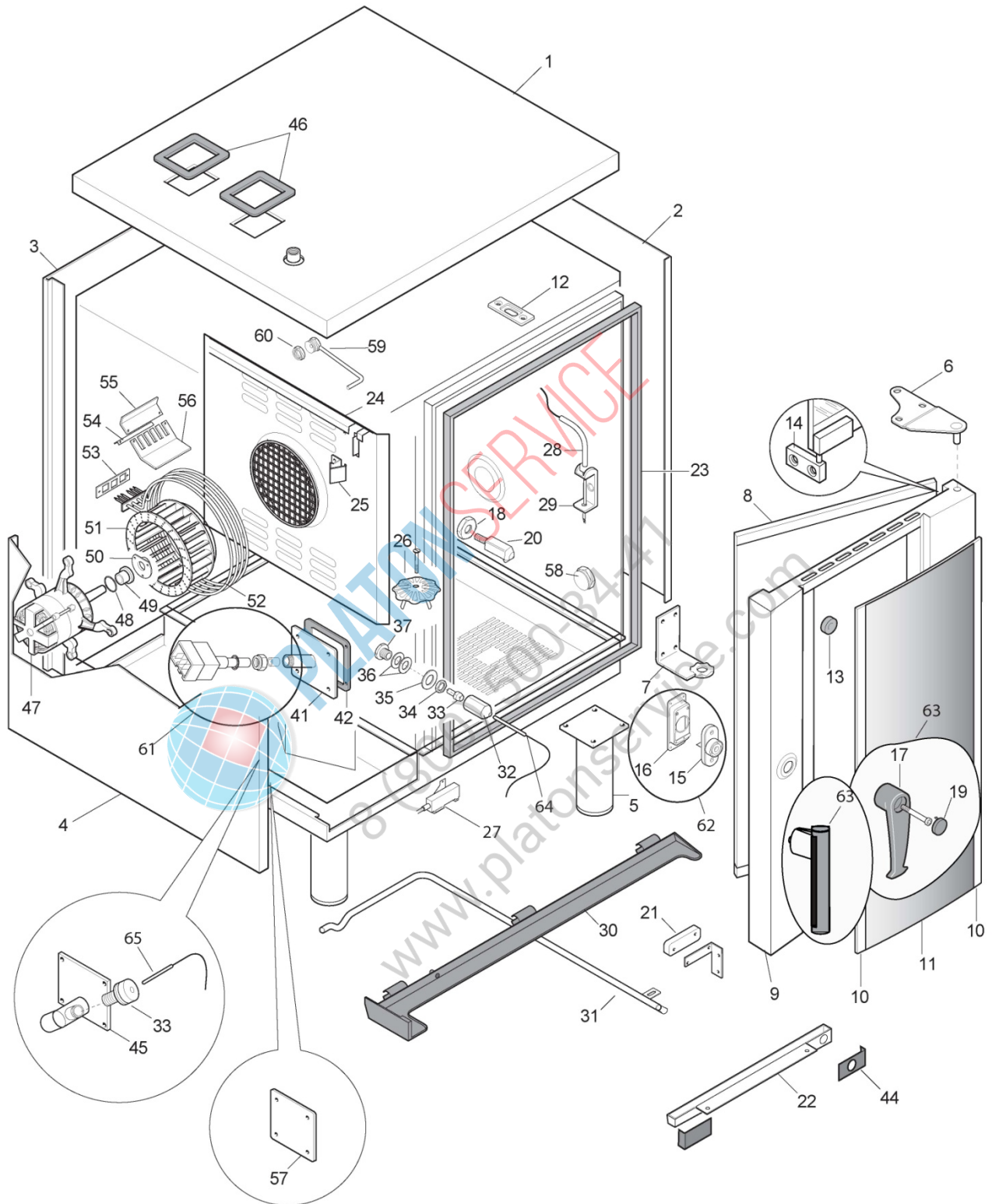
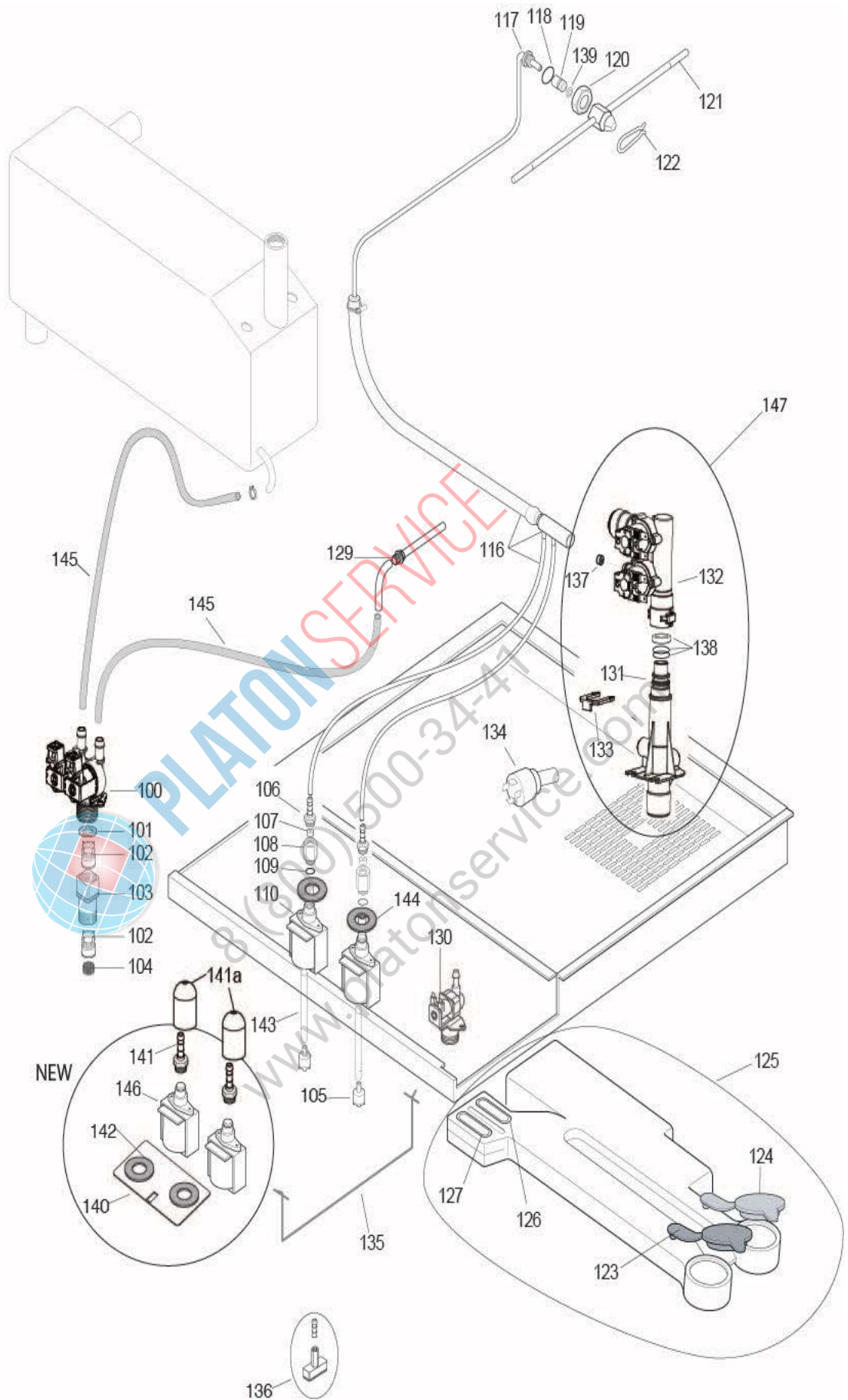


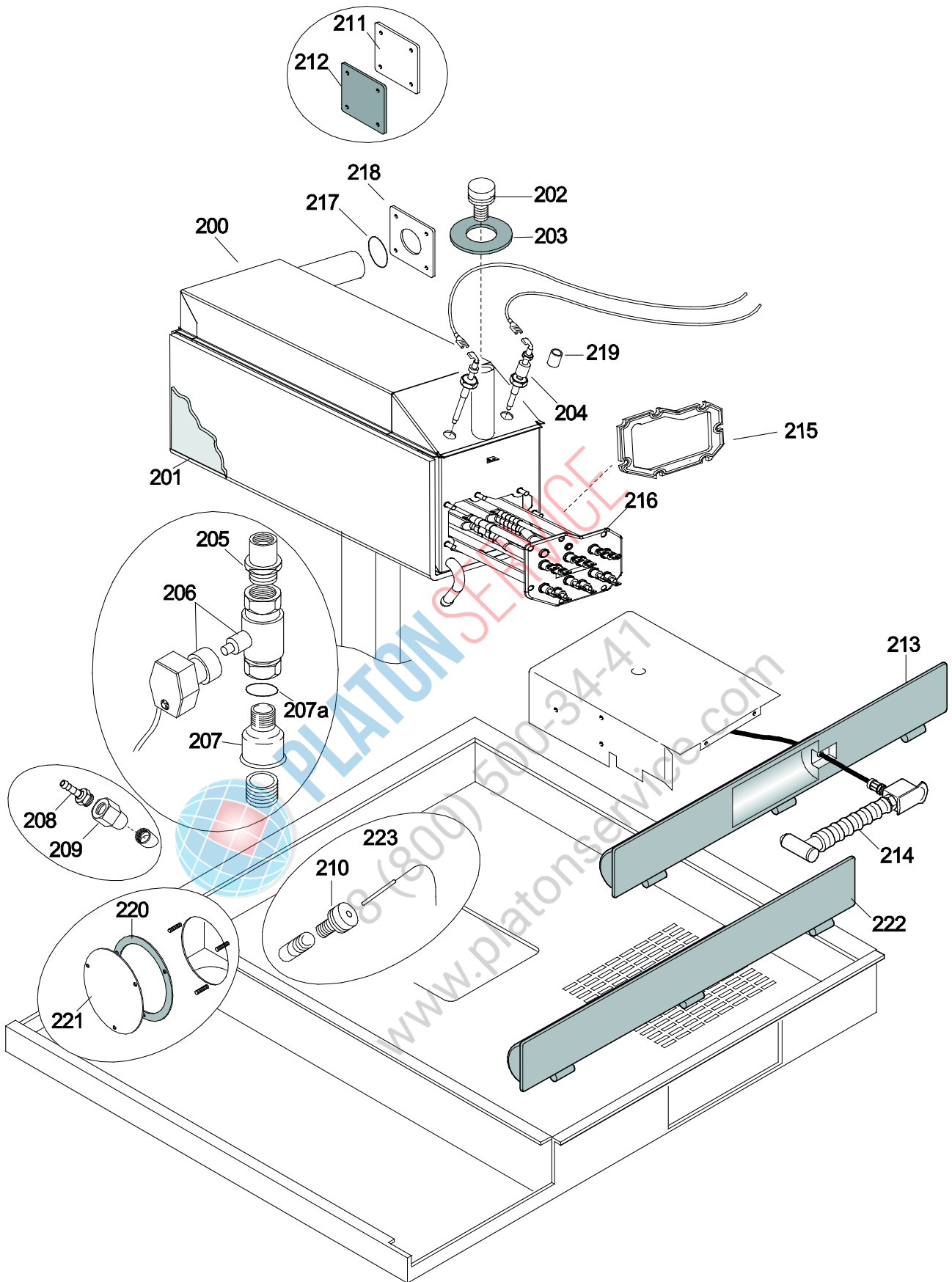
| PNC    | Model      | Ref | Group | Level   | Page   | Notes               |
|--------|------------|-----|-------|---------|--------|---------------------|
| 236202 | FCZ101 EKA | T   | FCZ   | Level K | 2...11 | 400V 3N 50Hz        |
| 236222 | FCZ101EKN  | U   | FCZ   | Level K | 2...11 | 230V 3N             |
| 237202 | FCZ101ETA  | A   | FCZ   | Touch   | 2...11 | 400V 3N 50Hz        |
| 237212 | FCZ101ETH  | B   | FCZ   | Touch   | 2...11 | 400V 3N 50Hz P80    |
| 237222 | FCZ101ETN  | C   | FCZ   | Touch   | 2...11 | 230V 3N             |
| 238202 | FCZ101EBA2 | D   | FCZ   | Level B | 2...11 | 400V 3N 50Hz        |
| 238212 | FCZ101EBH2 | E   | FCZ   | Level B | 2...11 | 400V 3N 50Hz P80    |
| 238222 | FCZ101EBN2 | F   | FCZ   | Level B | 2...11 | 230V 3N             |
| 238232 | FCZ101EBC2 | G   | FCZ   | Level B | 2...11 | 200V 3 60Hz Japan   |
| 239202 | FCZ101ECA2 | H   | FCZ   | Level C | 2...11 | 400V 3N 50Hz        |
| 239212 | FCZ101ECH2 | I   | FCZ   | Level C | 2...11 | 400V 3N 50Hz P80    |
| 239222 | FCZ101ECA2 | L   | FCZ   | Level C | 2...11 | 230V 3N             |
| 239342 | FCZ101ECAS | g1  | FCZ   | Level C | 2...11 | 400V 3N 50/60 Hz    |
| 266202 | AOS101EKA1 | Q   | AOS   | Level K | 2...11 | 400V 3N 50Hz        |
| 266222 | AOS101EKN1 | R   | AOS   | Level K | 2...11 | 230V 3N             |
| 266282 | AOS101EKM1 | S   | AOS   | Level K | 2...11 | 208V 3 USA          |
| 266322 | AOS101EKV1 | f1  | AOS   | Level K | 2...11 | 480V 3 60HZ USA     |
| 266352 | AOS101EKR1 | a1  | AOS   | Level K | 2...11 | 400V 3N 50/60HZ AUS |
| 267072 | AOS101EAQ1 | O   | AOS   | Level A | 2...11 | Nando's             |
| 267202 | AOS101ETA1 | a   | AOS   | Touch   | 2...11 | 400V 3N 50Hz        |
| 267212 | AOS101ETH1 | b   | AOS   | Touch   | 2...11 | 400V 3N 50Hz P80    |
| 267222 | AOS101ETN1 | c   | AOS   | Touch   | 2...11 | 230V 3N             |
| 267232 | AOS101ETC1 | d   | AOS   | Touch   | 2...11 | 200V 3 60Hz Japan   |
| 267242 | AOS101ETE1 | e   | AOS   | Touch   | 2...11 | 440V 3 Marine       |
| 267252 | AOS101ETF1 | f   | AOS   | Touch   | 2...11 | 400V 3 Marine       |
| 267282 | AOS101ETM1 | h   | AOS   | Touch   | 2...11 | 208V 3 USA          |
| 267302 | AOS101ETK1 | l   | AOS   | Touch   | 2...11 | 400V 3N UK          |
| 267322 | AOS101ETV1 | i1  | AOS   | Touch   | 2...11 | 480V 3 USA          |
| 267352 | AOS101ETR1 | b1  | AOS   | Touch   | 2...11 | 400V 3N 50/60HZ AUS |
| 268202 | AOS101EBA2 | n   | AOS   | Level B | 2...11 | 400V 3N             |
| 268212 | AOS101EBH2 | o   | AOS   | Level B | 2...11 | 400V 3N 50Hz P80    |
| 268222 | AOS101EBN2 | p   | AOS   | Level B | 2...11 | 230V 3N             |
| 268232 | AOS101EBC2 | q   | AOS   | Level B | 2...11 | 200V 3 60Hz Japan   |
| 268242 | AOS101EBE2 | r   | AOS   | Level B | 2...11 | 440V 3 Marine       |
| 268252 | AOS101EBF2 | s   | AOS   | Level B | 2...11 | 400V 3 Marine       |
| 268302 | AOS101EBH2 | t   | AOS   | Level B | 2...11 | 400V 3N UK          |
| 268352 | AOS101EBR2 | c1  | AOS   | Level B | 2...11 | 400V 3N 50/60HZ AUS |
| 269202 | AOS101ECA2 | u   | AOS   | Level C | 2...11 | 400V 3N 50Hz        |
| 269212 | AOS101ECH2 | v   | AOS   | Level C | 2...11 | 400V 3N 50Hz P80    |
| 269222 | AOS101ECN2 | z   | AOS   | Level C | 2...11 | 230V 3N             |
| 269282 | AOS101ECM1 | P   | AOS   | Level C | 2...11 | 208V 3 USA          |
| 269302 | AOS101ECK2 | M   | AOS   | Level C | 2...11 | 400V 3N UK          |
| 269322 | AOS101ECV1 | e1  | AOS   | Level C | 2...11 | 480V 3 60HZ USA     |
| 269332 | AOS101ECY2 | N   | AOS   | Level C | 2...11 | 400V 30 Bakery      |
| 269352 | AOS101ECR2 | d1  | AOS   | Level C | 2...11 | 400V 3N 50/60HZ AUS |

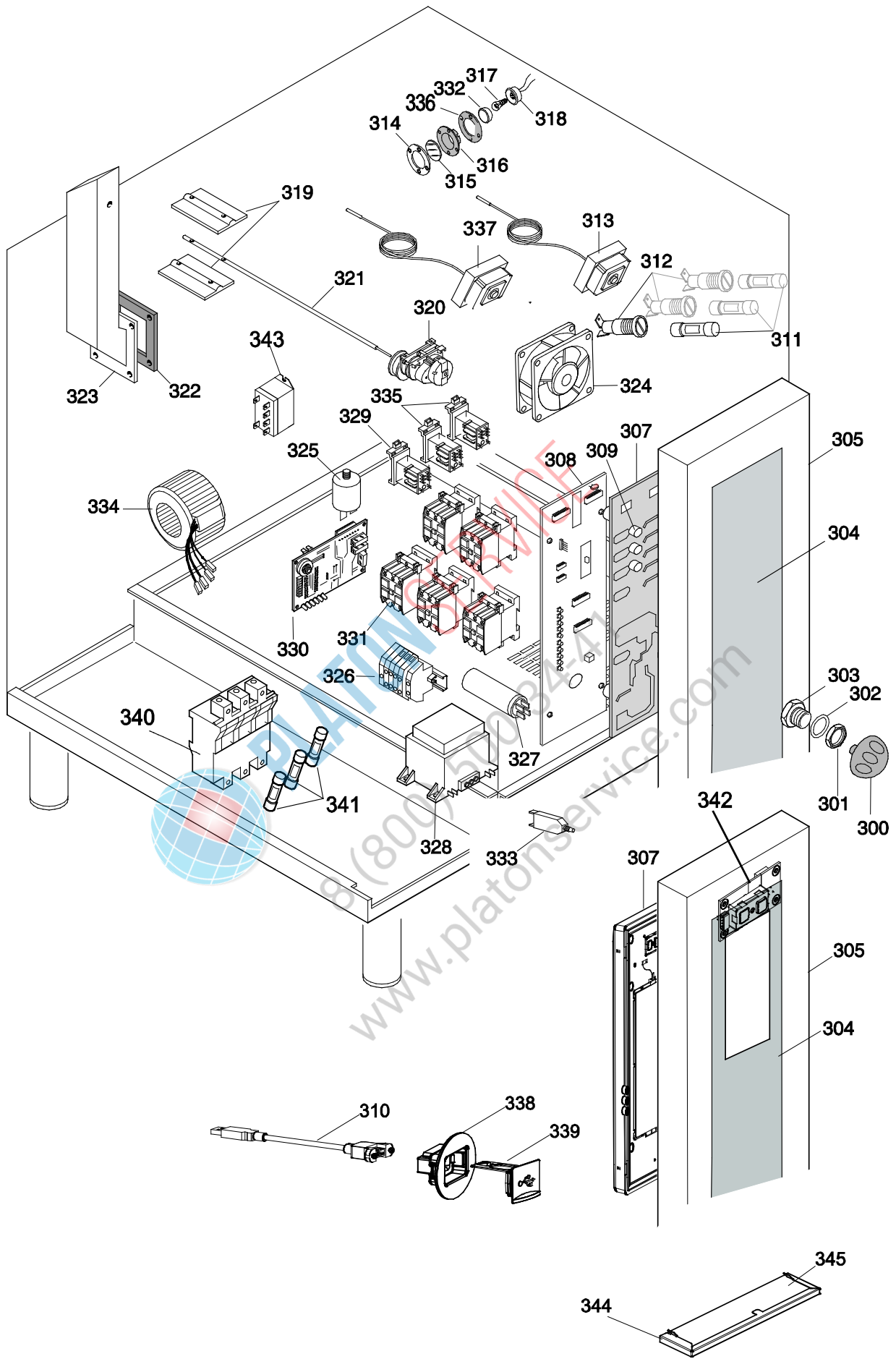
| Pag    | Index                  | Indice               | Note |
|--------|------------------------|----------------------|------|
| 2      | Oven cabinet and door. | Cella forno e porta  |      |
| 3      | Water system           | Impianto idraulico   |      |
| 4      | Boiler                 | Boiler               |      |
| 5      | Electrical components  | Componenti elettrici |      |
| 6      | Accessories            | Accessori            |      |
| 7...11 | Spare parts list       | Lista ricambi        |      |

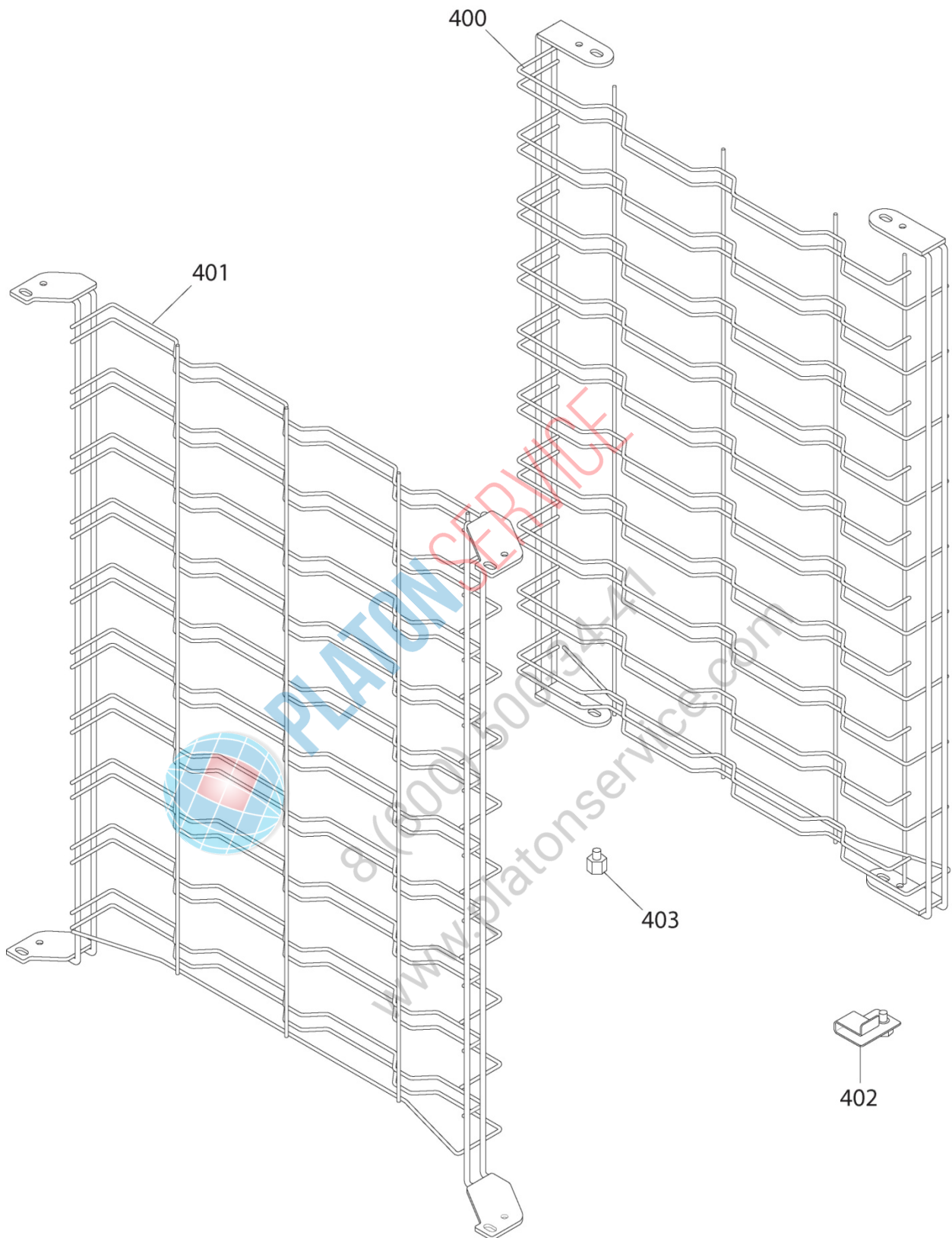
Brand/Marchio: All  
 Factory code: 9PDD











**10 GN 1/1 ELECTRIC CONVECTION / STEAMER OVEN**  
**FORNO CONVEZIONE / VAPORE ELETTRICO 10 GN 1/1**

| <i>Pos</i> | <i>Factory Code</i> | <i>6DGT Code</i> | <i>Descrizione</i>          | <i>Description</i>          | <i>Ref./Note</i>                          |
|------------|---------------------|------------------|-----------------------------|-----------------------------|---|
|            |                     |                  | <b>Pagina 2</b>             | <b>Page 2</b>               |   |
| 1          | 0590831300          | 0C6177           | COPERCHIO                   | COVER                       |   |
| 2          | 0530890900          | 0C6174           | FIANCO DX                   | RIGHT SIDE PANEL            |   |
| 3          | 0530892700          | 0C6190           | SCHIENALE                   | BACK PANEL                  |   |
| 4          | 0530893300          | 0C6196           | FIANCO SX                   | LEFT SIDE PANEL             |   |
| 5          | 0831850900          | 0C4892           | PIEDINO                     | FOOT                        |   |
| 5          | 0806872300          | 0C4823           | PIEDINO                     | FOOT                        | For Marine Version                        |
| 6          | 0806847803          | 0C4234           | CERNIERA SUPERIORE          | UPPER HINGE                 |   |
| 7          | 0806861600          | 0C4235           | CERNIERA INFERIORE          | LOWER HINGE                 |   |
| 8          | 0873869902          | 0C4470           | VETRO INTERNO               | INNER GLASS                 |   |
| *          | 0850400P00          | 0C6576           | TELAIO PORTA                | DOOR CHASSIS                |   |
| 9          | 0879400500          | 0C6601           | PORTA COMPLETA              | COMPLETE DOOR               |   |
| 10         | 0806859302          | 0C4476           | PROFILO DX-SX               | RIGHT AND LEFT TRIM         |   |
| 11         | 0574400300          | 0C6559           | VETRO ESTERNO               | EXTERNAL GLASS              | For AOS Version                           |
| 11         | 0574818501          | 0C4943           | VETRO ESTERNO               | EXTERNAL GLASS              | For FCZ Version                           |
| 11         | 0574400P00          | 0C7972           | VETRO ESTERNO               | EXTERNAL GLASS              | For Nando's Version                       |
| 12         | 0543839700          | 0C4088           | GUARNIZIONE SPILLONE        | GASKET                      |   |
| 13         | 0543828001          | 006976           | AMMORTIZZATORE              | DAMPER                      |   |
| 14         | 0806822000          | 007007           | CERNIERA VETRO INTERNO      | HINGE, INNER GLASS          |   |
| 15         | 0835871801          | 0C4089           | GR.CHIUSURA A SCATTO 'HRS'  | CLOSING MECHANISM           |   |
| 16         | 0510824200          | 0C4237           | SUPPORTO GR.CHIUSURA        | SUPPORTO                    |   |
| 17         | 0548871500          | 0C4090           | MANIGLIA CHIUSURA           | DOOR HANDLE                 |   |
| 18         | 0516896400          | 0C4238           | DADO FISSAGGIO              | NUT FOR DOOR CATCHER        |   |
| 19         | 0546822600          | 0C4091           | TAPPO PER MANIGLIA 'HRS'    | DOOR COVER HANDLE           |   |
| 20         | 0806859900          | 0C4092           | NASELLO                     | DOOR CATCHER                |   |
| 21         | 0699603700          | 049627           | MAGNETE                     | MAGNET                      |   |
| 22         | 0528869501          | 0C4239           | VASCHETTA RACC.CONDENSE     | DOOR DRAIN TRAY             |   |
| 23         | 0831846901          | 0C1477           | GUARNIZIONE CELLA-PORTA     | GASKET                      |   |
| 24         | 0830892205          | 0C4619           | PARETE DI ASPIRAZIONE       | SUCTION WALL                |   |
| 25         | 0518807301          | 0C3423           | MOLLA AGGANCIAMENTO PARETE  | SPRING                      |   |
| 26         | 0518808600          | 0C1740           | FILTRO FONDO                | FILTER                      |   |
| 27         | 0654600000          | 049621           | INTERRUTTORE MAGNETICO      | MAGNETIC SWITCH             |   |
| 28         | 0831831000          | 0C4240           | SPILLONE MULTIPOINT         | MEAT PROBE MULTI POINT      | For Level TOUCH                           |
| 28         | 0831830700          | 0C4241           | SPILLONE SINGOLO PUNTO      | MEAT PROBE SINGLE POINT     | For Level B, C,K                          |
| 29         | 0527865201          | 0C1505           | SUPPORTO SPILLONE           | MEAT PROBE SUPPORT          |   |
| 30         | 0856814000          | 0C4242           | BACINELLA SNODABILE         | DRAIN TRAY                  |   |
| 31         | 0806858800          | 0C4243           | TUBO PER CONDENSE 1/1       | DRAIN TUBE                  |   |
| 32         | 0516855300          | 006991           | DADO SONDA CELLA            | NUT, CAVITY PROBE           |   |
| 33         | 0543842600          | 0C4872           | TAPPO PER SENSORE           | STOPPER FOR SENSOR          |   |
| 34         | 0214105101          | 020997           | CONTRODADO PORTAUGELLO      | LOCK NUT                    |   |
| 35         | 0516809301          | 002701           | RONDELLA TENUTA SONDA       | WASHER                      |   |
| 36         | 0543816300          | 002624           | GUARNIZIONE PER SONDA       | GASKET                      |   |
| 37         | 0516809400          | 002623           | RACCORDO SONDA CELLA        | CONNECTION, CAVITY PROBE    |   |
| 41         | 0806857201          | 0C4244           | COND. FLANGIATO SONDA       | FLANGE TUBE                 | For Level TOUCH                           |
| 42         | 0543838300          | 0C4093           | GUARNIZIONE BYPASS/LAMBDA   | GASKET                      |   |
| 44         | 0543841300          | 0C4094           | GUARN. VASC. COND. PORTA    | GASKET                      |   |
| 45         | 0806873000          | 0C6351           | CONDOTTO FLANGIATO BY-PASS  | DUCT, BYPASS PROBE          | For Level B, C,K                          |
| 46         | 0543828901          | 007005           | GUARN. COND. ARIA-COPERCHIO | GASKET, DUCT                |   |
| 47         | 0611806001          | 006998           | MOTORE                      | MOTOR                       | For Level TOUCH,B<br>Not for 60Hz version |
| 47         | 0611809000          | 0C5287           | MOTORE                      | MOTOR                       | For Level C                               |
| 47         | 0611807300          | 0C1474           | MOTORE                      | MOTOR                       | For 60Hz Version                          |
| 47         | 0611400100          | 0C6936           | MOTORE                      | MOTOR                       | For 480V                                  |
| 48         | 0543816700          | 002873           | O RING                      | O RING                      |   |
| 49         | 0516808902          | 002699           | CUSCINETTO                  | BEARING                     |   |
| 50         | 0538815400          | 0C4138           | FLANGIA FISS.TENUTA MOTORE  | FLANGE                      |   |
| 51         | 0835400800          | -                | VENTOLA                     | FAN                         |   |
| 52         | 0617400801          | 0C6501           | RESISTENZA (5.6 kW/400V)    | HEATING ELEM. (5.6 kW/400V) | For 400V Version                          |

**10 GN 1/1 ELECTRIC CONVECTION / STEAMER OVEN**  
**FORNO CONVEZIONE / VAPORE ELETTRICO 10 GN 1/1**

| Pos | Factory Code | 6DGT Code | Descrizione                   | Description                   | Ref./Note                                  |
|-----|--------------|-----------|-------------------------------|-------------------------------|--|
| 52  | 0617826900   | 007066    | RESISTENZA (5.6 kW/230V)      | HEATING ELEM. (5.6 kW/230V)   | For 230V Version                           |
| 52  | 0617838900   | 0C6026    | RESISTENZA (5.6 kW/200V)      | HEATING ELEM. (5.6 kW/200V)   | For 200V Version                           |
| 52  | 0617827000   | 0C1936    | RESISTENZA (5,6 kW/440V)      | HEATING ELEM. (5,6 kW/440V)   | For 440V Version                           |
| 52  | 0617829200   | 0C1396    | RESISTENZA (5,5 kW/208V USA)  | HEAT. ELEM. (5,5 kW/208V USA) | For 208V Version                           |
| 52  | 0617829800   | 0C1500    | RESISTENZA (5,5 kW/240 V USA) | HEAT. ELEM. (5,5 kW/240V USA) | For 240V Version                           |
| 52  | 0617400400   | 0C6942    | RESISTENZA (5,5 kW/480 V USA) | HEAT. ELEM. (5,5 kW/480V USA) | For 480V Version                           |
| 53  | 0543816501   | 002689    | GUARNIZIONE RESIST. CELLA     | GASKET, CAVITY HEATING EL.    |  |
| 54  | 0503897402   | 006253    | ANGOLARE RESISTENZE           | SUPPORT                       |  |
| 55  | 0503891801   | 006256    | LAMA FISSAGGIO RESISTENZE     | SUPPORT                       |  |
| 56  | 0527833700   | 0C3830    | SUPPORTO RESISTENZE           | SUPPORT                       |  |
| 57  | 0527898900   | 0C4857    | PIASTRA CHIUSURA              | FLANGE                        | for Level C,K                              |
| 59  | 0856828400   | 0C4975    | CONDOTTO UMIDIFICATORE        | HUMIDIFIER PIPNG              | for Level C,K                              |
| 60  | 0516887101   | 0C6228    | DADO CONDOTTO                 | NUT HUMIDIFIER                | for Level C,K                              |
| 61  | *            | 0C6465    | KIT SONDA LAMBDA              | LAMBDA KIT                    | for level TOUCH                            |
| 62  | 0835872001   | 0C4477    | ASSIEME CHIUSURA PORTA        | COMPLETE CLOSING MECH.        |  |
| 63  | 0830400600   | 0C6572    | MANIGLIA COMPLETA             | COMPLETE DOOR HANDLE          | for FCZ Group                              |
| 63  | 0830400500   | 0C6569    | MANIGLIA COMPLETA             | COMPLETE DOOR HANDLE          | for AOS Group                              |
| 64  | 0830898902   | 0C65388   | SENSORE TEMPERATURA           | TEMP. PROBE                   |  |
| 65  | 0830899101   | 0C6539    | SENSORE TEMPERATURA           | TEMP. PROBE                   |  |
| 66  | 0543400900   | 0C7016    | GUARNIZIONE PER TUBO          | PIPE GASKET                   |  |
| 67  | 0543816601   | 002692    | TAPPO CARICO DISINCROST.      | RECHARGE CAP FOR SCALER       |  |
| 68  | 0543843201   | 0C4965    | GOMMINO CHIUSURA ING.DISIN    | GASKET                        |  |
|     |              |           | <b>Pagina 3</b>               | <b>Page 3</b>                 |  |
| 100 | 0696808300   | 0C5516    | ELETTROVALVOLA 2 VIE          | WATER VALVE 2 WAYS            | for Level A,B                              |
| 101 | 0543840600   | 0C4096    | GUARNIZIONE FILTRO REFLEX     | GASKET                        | for Level A,B                              |
| 102 | 0549801800   | 0C2312    | VALVOLA NON RITORNO           | NOT RE-FLOW VALVE             | for Level A,B                              |
| 103 | 0516879400   | 0C2313    | RACCORDO ENTRATA ACQUA        | PIPE FITTING                  | for Level A,B                              |
| 105 | 0831811400   | 0C1155    | ASSIEME FILTRO                | FILTER                        |  |
| 106 | 0516896101   | 0C4198    | RACCORDO PORTAGOMMA           | PIPE FITTING                  |  |
| 107 | 0544809000   | 0C1117    | VALVOLA NON RITORNO           | NOT RE-FLOW VALVE             |  |
| 108 | 0516871900   | 0C1116    | RACCORDO PER POMPA            | CONNECTION, PUPM              |  |
| 109 | 0543832300   | 0C1935    | O-RING                        | O-RING                        |  |
| 110 | 0680801201   | 0C2341    | POMPA                         | PUMP                          | for 50 Hz                                  |
|     | -            |           | KIT POMPA                     | PUMP KIT                      | For 50 Hz                                  |
|     | -            |           | 0C2341+0C1116+0C1935          | 0C2341+0C1116+0C1935          | for 60 Hz                                  |
| 110 | 0680801301   | 0C2342    | POMPA                         | PUMP                          |  |
| -   | -            | 0C2309    | TUBO POMPA - SERBATOIO        | PUMP - TANK HOUSE             |  |
| 116 | 0806864300   | 0C4246    | ASSIEME COLL. LAVAGGIO        | CONNECTION,C.S.               |  |
| 117 | 0806871100   | 0C6031    | ASS. SUPP. ATTACCO GETTO LAV. | SUPPORT                       |  |
| 118 | 0543841400   | 0C4201    | GUARNIZIONE IN RAME           | COPPER GARKET                 |  |
| 119 | 0516898301   | 0C4467    | CUSCINETTO GETTO ROTANTE      | BEARING                       |  |
| 120 | 0516896000   | 0C4202    | DADO                          | NUT                           |  |
| 121 | 0806873900   | 0C5503    | GETTO ROTANTE                 | ROTATING WASHING JET          |  |
| 122 | 0518807100   | 007026    | MOLLA                         | SPRING                        |  |
| 123 | 0544808100   | 0C1151    | TAPPO PER SERBATOIO BLU       | BLUE CUP                      |  |
| 124 | 0544808200   | 0C1152    | TAPPO PER SERBATOIO ROSSO     | RED CUP                       |  |
| 125 | 0544808001   | 0C4426    | SERBATOIO DETERGENTE-BRIL     | TANK                          |  |
| 126 | 0544808900   | 0C1154    | PARATIA PER SERBATOIO ROSSO   | RED BULKHEAD                  |  |
| 127 | 0544808400   | 0C1153    | PARATIA PER SERBATOIO BLU     | BLUE BULKHEAD                 |  |
| 129 | 0H22982600   | 007012    | TUBO UMIDIFICATORE            | HUMIDIFIER PIPE               | for Level A, B                             |
| 129 | 0856828600   | 0C4977    | TUBO UMIDIFICATORE            | HUMIDIFIER PIPE               | for Level C,K                              |
| 130 | 0696808200   | 0C5515    | ELETTROVALVOLA                | WATER VALVE                   | for Level C,K                              |
| 131 | 0831857200   | 0C6370    | ASSIEME COLLETTORE LAV.       | CONNECTION,C.S.               |  |
| 132 | 0696808600   | 0C6374    | GRUPPO VALVOLE CLEANYNG       | VALVE GROUP C.S.              | for Level TOUCH, B<br>not for 60Hz version |
| 132 | 0696400100   | 0C6373    | GRUPPO VALVOLE CLEANYNG       | VALVE GROUP C.S.              | for 60 Hz Version                          |
| 132 | 0696400300   | 0C6406    | GRUPPO VALVOLE CLEANYNG       | VALVE GROUP C.S.              | for Level C,K                              |
| 133 | 0546825100   | 0C6222    | FORCELLA SICUREZZA            | CLIP                          |  |
| 134 | 0646817200   | 0C6217    | PRESSOSTATO ATTACCO RAPID     | WATER PRESSURE SWITCH         |  |



| <b>10 GN 1/1 ELECTRIC CONVECTION / STEAMER OVEN</b>  |                     |                  |                                 |                                |                       |
|--|---------------------|------------------|---------------------------------|--------------------------------|-----------------------|
| <b>FORNO CONVEZIONE / VAPORE ELETTRICO 10 GN 1/1</b> |                     |                  |                                 |                                |                       |
| <i>Pos</i>   | <i>Factory Code</i> | <i>6DGT Code</i> | <i>Descrizione</i>              | <i>Description</i>             | <i>Ref./Note</i>      |
| 135  | 0513805000          | 0C5426           | STAFFA SUPPORTO SERBATOIO       | SUPPORT PLATE                  |                       |
| 136  | 0546824100          | 0C6201           | GANCIO SERBATOIO                | HOOK                           |                       |
| 137  | -                   | 0C6375           | KIT RIDUTTORI                   | FLOW REDUCER KIT               |                       |
| 138  | -                   | 0C6377           | KIT O-RING +BUSSOLA             | O-RING +BUSH KIT               |                       |
| 139  | 0219035015          | 0C6421           | ANELLO ELASTICO                 | ELASTIC RING                   |                       |
| 140  | 0505401R00          | 0C7924           | PIASTRINA FISSAGGIO POMPE       | FIXING PLAQUE                  |                       |
| 141  | 0544400C01          | 0C8348           | VITE TTL                        | TTL SCREW                      |                       |
| 141a   | 0546400J00          | 0C9538           | CAPPUCCIO DI PROTEZIONE         | PROTECTION CAP                 |                       |
| 142  | 0543400R00          | 0C7925           | PASSACAPO                       | WIRING BUSH                    |                       |
| 143  | 0546814600          | 0C2309           | TUBO EXT                        | EXT. PIPE                      |                       |
| 144  | 0246530100          | 005382           | GOMMINO                         | GASKET                         |                       |
| 145  | 0544819400          | 0C5829           | TUBO EPDM BLU                   | EPDM PIPE                      |                       |
| 146  | 0686400100          | 0C8347           | POMPA DEFOND PHOENIX            | PHOENIX DEFOND PUMP            | Up to 4441...         |
| <b>146</b>   | <b>0686400201</b>   | <b>OCA112</b>    | <b>POMPA CEME</b>               | <b>CEME PUMP</b>               | <b>From 4451...</b>   |
| 147  | 0835400L00          | 0C8683           | GRUPPO ENTRATA ACQUA            | GROUP WATER INLET              |                       |
| 147  | 0835400M00          | 0C8684           | GRUPPO ENTRATA ACQUA            | GROUP WATER INLET              | For level C,K         |
|  |                     |                  | <b>Pagina 4</b>                 | <b>Page 4</b>                  |                       |
| 200  | 0878401100          | 0C9662           | KIT ASSIEME BOILER              | BOILER ASS.Y KIT               |                       |
| 201  | 0569806900          | 0C5836           | KIT ISOLAMENTO                  | KIT INSULATION                 |                       |
| 202  | 0543816601          | 002692           | TAPPO                           | STOPPER                        |                       |
| 203  | 0543844800          | 0C5834           | GUARNIZIONE RES. BOILER         | GASKET HEAT BOILER             |                       |
| 204  | 0830890500          | 007033           | SONDA DI LIVELLO                | LEVEL PROBE                    |                       |
| 205  | 0516809501          | 007117           | RACCORDO                        | CONNECTION                     |                       |
| 206  | 0696804201          | 0C0882           | VALVOLA DI SCARICO              | DRAIN VALVE                    |                       |
| 206  | 0696808500          | 0C5518           | VALVOLA DI SCARICO              | DRAIN VALVE                    | For 60Hz Version      |
| 207  | 0511820300          | 0C3847           | MANICOTTO 1"-3/4"               | CONNECTION 1"-3/4"             |                       |
| 207a   | 0543816800          | 002874           | O-RING                          | SEALING RING                   |                       |
| 208  | 0510828000          | 0C5564           | RESCA D12 FILETT 1/4' GAS       | PIPE CONNECTION                |                       |
| 209  | 0516879600          | 0C4099           | UGELLO 'ELPIS'1/4'FD3.5-3/8'M   | NOZZLE                         |                       |
| 210  | 0543842600          | 0C4872           | TAPPO PER SENSORE               | STOPPER FOR SENSOR             |                       |
| 211  | 0527898700          | 0C4856           | FLANGIA CHIUS. FORO BOILER      | FLANGE                         | For Level C,K         |
| 212  | 0543842800          | 0C4963           | GUARN. CHIUSURA FORO BOILER     | GASKET                         | For Level C,K         |
| 213  | 0546815103          | 0C4532           | PANNELLO FRONTALE INFERIORE     | PANNEL                         |                       |
| 214  | 0873881200          | 0C4248           | DOCETTA                         | SHOWER                         |                       |
| 215  | 0543400900          | 0C5834           | GUARNIZIONE                     | GASKET                         |                       |
| 216  | 0617836400          | 0C5840           | RES. BOILER (17 kW/400V)        | HEAT. EL. BOILER (17 kW/400V)  | For 400V Version      |
| 216  | 0617836900          | 0C6024           | RESI. BOILER (17 kW/200V)       | HEAT. EL. BOILER (17 kW/200V)  | For 200V Version      |
| 216  | 0617844800          | 0C5843           | RESIST. BOILER (17 kW/230V)     | HEAT. EL. BOILER (17kW/230V)   | For 230V Version      |
| 216  | 0617838300          | 0C5846           | RESIST. BOILER (17 kW/440V)     | HEAT. EL. BOILER (17 kW/440V)  | For 440V Version      |
| 216  | 0617837100          | 0C5821           | RESIST. BOILER (17 kW/208V USA) | HEAT. EL. BOIL. 17 kW/208V USA | For 208V Version      |
| 216  | 0617837700          | 0C5824           | RESIST. BOILER (17 kW/240V USA) | HEAT. EL. BOIL. 17 kW/240V USA | For 240V Version      |
| 216  | 0617400100          | 0C6939           | RESIST. BOILER (17 kW/480V USA) | HEAT. EL. BOIL. 17 kW/480V USA | For 480V Version      |
| 217  | 0543816800          | 002874           | OR BOILER                       | OR BOILER                      |                       |
| 218  | 0527898600          | 0C4821           | FLANGIA BOILER                  | FLANGE                         |                       |
| 219  | 0515857001          | 055347           | DISTANZIALE PER Sonda L=9       | SPACER                         |                       |
| 220  | 0543400000          | 0C7033           | GUARNIZIONE PORTELLO            | GASKET                         | for level TOUCH       |
| 221  | 0J89061403          | 0C3443           | PORTELLO ISPEZIONE              | INSPECTION COVER               |                       |
| 222  | 0546821401          | 0C8597           | PANNELLO FRONTALE INFERIORE     | PANEL                          | For Level B           |
| 223  | 0830899101          | 0C6539           | SONDA BYPASS 1100 BIANCO        | BYPASS PROBE 1100mm WHITE      | for Level TOUCH e B   |
|  |                     |                  | <b>Pagina 5</b>                 | <b>Page 5</b>                  |                       |
| 300  | 0806874001          | 0C5600           | MANOPOLA                        | HANDLE                         | For level B, C,K      |
| 301  | 0214114900          | 051263           | CONTRODADO                      | LOCK NUT                       | For level B, C,K      |
| 302  | 0508836400          | 002727           | RONDELLA                        | DISK                           | For level B, C,K      |
| 303  | 0516807301          | 002662           | BOCCOLA                         | BUSH                           | For level B, C,K      |
| 304  | 0548400500          | 0C6549           | MEMBRANA TOUCH                  | LAYER LEV. TOUCH               | for TOUCH AOS Group   |
| 304  | 0548400B00          | 0C6551           | MEMBRANA TOUCH                  | LAYER LEV. TOUCH               | for TOUCH FCZ Group   |
| 304  | 0548400F00          | 0C6553           | MEMBRANA LIV.B                  | LAYER LEV. B                   | for Level B AOS Group |

**10 GN 1/1 ELECTRIC CONVECTION / STEAMER OVEN**  
**FORNO CONVEZIONE / VAPORE ELETTRICO 10 GN 1/1**

| <i>Pos</i> | <i>Factory Code</i> | <i>6DGT Code</i> | <i>Descrizione</i>                               | <i>Description</i>                   | <i>Ref./Note</i>                   |
|------------|---------------------|------------------|--|--------------------------------------|------------------------------------|
| 304        | 0675855002          | 0C4948           | MEMBRANA LIV.B                                   | LAYER LEV. B                         | for Level B FCZ Group              |
| 304        | 0548400J00          | 0C6556           | MEMBRANA LIV.C                                   | LAYER LEV. C                         | for Level C AOS Group              |
| 304        | 0675855103          | 0C4949           | MEMBRANA LIV.C                                   | LAYER LEV. C                         | for Level C FCZ Group              |
| 304        | 0548401900          | 0C8084           | MEMBRANA LIV.C BAKERY                            | LAYER LEV.C BAKERY                   | for Level C Bakery                 |
| 304        | 0675847601          | 0C7961           | MEMBRANA NANDO'S                                 | LAYER NANDO'S                        | for Nando's Model                  |
| 304        | 0548401G00          | 0C8706           | MEMBRANA LIV. TOUCH "K"                          | LAYER TOUCH "K" AOS MODELS           | For Level Touch "K" AOS Group      |
| 305        | 0870400501          | 0C6582           | CRUSCOTTO TOUCH (NO MEMBR.)                      | CONT.PANEL TOUCH (NO LAYER)          | for TOUCH AOS Group                |
| 305        | 0870400J00          | 0C6592           | CRUSCOTTO TOUCH (NO MEMBR.)                      | CONT.PANEL TOUCH (NO LAYER)          | for TOUCH FCZ group                |
| 305        | 0870400600          | 0C6583           | CRUSCOTTO LIV. B (NO MEMBR.)                     | CONT.PANEL LEV. B (NO LAYER)         | for Level B AOS Group              |
| 305        | 0873896002          | 0C4902           | CRUSCOTTO LIV. B (NO MEMBR.)                     | CONT.PANEL LEV. B (NO LAYER)         | for Level B FCZ Group              |
| 305        | 0870400K00          | 0C6593           | CRUSCOTTO LIV. C (NO MEMBR.)                     | CONT.PANEL LEV. C (NO LAYER)         | for Level C AOS Group              |
| 305        | 0873896102          | 0C4903           | CRUSCOTTO LIV. C (NO MEMBR.)                     | CONT.PANEL LEV. C (NO LAYER)         | for Level C FCZ Group.             |
| 305        | 0873895902          | 0C4901           | CRUSCOTTO NANDO'S                                | CONT.PANEL NANDO'S                   | For Nando's Model                  |
| 305        | 0875401U00          | 0C8711           | CRUSCOTTO LIV.TOUCH "K" CON MEMBRANA             | CONTROL PANEL TOUCH "K" WITH LAYER   | For Level Touch "K" AOS Group      |
| 307        | 0675400A00          | 0C6571           | SCHEDA USER INTERFACE TOUCH                      | USER INTERF. BOARD, TOUCH            | for Level TOUCH,K                  |
| 307        | 0675838802          | 0C0041           | SCHEDA USER INTERFACE LIV. B                     | USER INTERF. BOARD, LEV. B           | for Level B                        |
| 307        | 0675854600          | 0C4891           | SCHEDA USER INTERFACE LIV. C                     | USER INTERF. BOARD, LEV. C           | for Level C                        |
| 307        | 0675854602          | 0C7350           | SCHEDA USER INTERFACE LIV.C(1/2 VEL)             | USER INTERF. BOARD,LEV. C (1/2SPEED) | for level C (stard s/n 120...)     |
| 307        | 0675847701          | 0C3915           | SCHEDA USER INTERFACE NANDO'S                    | USER INTERFACE NANDO'S               | for Nando's model up to 114...     |
| 307        | 0675837904          | 0C0043           | SCHEDA USER INTERFACE NANDO'S SCHEDA POWER TOUCH | USER INTERFACE NANDO'S               | for Nando's model from to115..     |
| 308        | 0675400801          | 0C6570           | SCHEDA POWER                                     | MAIN POWER TOUCH                     | for Level TOUCH,K                  |
| 308        | 0675851401          | 0C3916           | SCHEDA POWER                                     | MAIN POWER                           | For Level B,C,Nando's up to 114... |
| 308        | 0675837808          | 0C0042           | SCHEDA POWER                                     | MAIN POWER                           | for Level B, C,Nando's from 115... |
| 308        | 0675400206          |                  | SCHEDA POWER                                     | MAIN POWER                           | for Level B from 4131...           |
| 309        | 0546824600          | 0C5833           | PROLUNGA PULSANTE                                | PROLONG                              | for Level B, C,K                   |
| -          | 0546814001          | 0C3750           | DISTANZIALE ARCHETTO NYLON                       | SPACER NYLON                         | for Level B, C ,K                  |
| -          | 0633847400          | 0C6564           | CABLAGGIO USER - POWER                           | MAIN - USER CABLE                    | for TOUCH level                    |
| 310        | 0638400Y00          | 0C6566           | CAVO PROLUNGA USB                                | USB CABLE                            | for TOUCH level                    |
| -          | 0638400P00          | 0C6565           | CAVO ALIMENTAZIONE USER                          | SUPPLY CABLE USER                    | for TOUCH level                    |
| 311        | 0652803300          | 0C1480           | FUSIBILE OMEGA 5X20 6,3A T                       | FUSE OMEGA 5X20 6,3A T               |                                    |
| 311        | 0652806100          | 0C4996           | FUSIBILE 5X20 3.15A T                            | FUSE 5X20 3.15A T                    | For E,F1                           |
| 311        | 0652800901          | 058871           | FUSIBILE RAPIDO 6.30 A                           | FUSE FAST 6.3 A                      | For 400V; 230V                     |
| 311        | 0652803900          | 0C2301           | FUSIBILE OMEGA 800MA                             | FUSE OMEGA 800MA                     | For 400V; 230V                     |
| 311        | 0652803100          | 0C6034           | FUSIBILE 1,6A OMEGA                              | FUSE 1,6A OMEGA                      | For 200V                           |
| 311        | 0652805200          | 0C2236           | FUSIBILE 1,6A WEBER                              | FUSE 1,6A WEBER                      | For 200V                           |
| 311        | 0652804900          | 0C3650           | FUSIBILE 3,15A                                   | FUSE 3,15A                           | For Marine Version                 |
| 311        | 0652805100          | 0C2230           | FUSIBILE RAPIDO 6.30 x3.2A                       | FUSE FAST 6.3 x 3.2A                 | For Marine Version                 |
| 311        | 0652803300          | 0C1480           | FUSIBILE 6,3 A                                   | FUSE 6,3 A                           | For 208V; 240V ; 480V              |
| 311        | 0652400000          | 0C6946           | FUSIBILE 3,15A T                                 | FUSE 3,15 A T                        | For 480V                           |
| 312        | 0652802100          | 0F0031           | PORTAFUSIBILE                                    | FUSE HOLDER                          | For 400V; 230V                     |
| 312        | 0652804800          | 0C2228           | PORTAFUSIBILE                                    | FUSE HOLDER                          | For Marine Version                 |
| 313        | 0646812200          | 007042           | LIMITATORE, CELLA                                | LIMITER, CAVITY                      |                                    |
| 313        | 0646810802          | 006314           | LIMITATORE, CELLA                                | LIMITER, CAVITY                      | For 60Hz Version                   |
| 314        | 0508840801          | 002628           | FLANGIA  | FLANGE                               |                                    |
| 315        | 0574804900          | 002627           | VETRO  | GLASS                                |                                    |
| 316        | 0543817202          | 002626           | GUARNIZIONE                                      | GASKET                               |                                    |
| 317        | 0660808300          | 0C4396           | LAMPADA ALOGENA                                  | HALOGEN LAMP                         | Up to 4361...                      |
| 317        | 0660400100          | 0C9877           | LAMPADA ALOGENA                                  | HALOGEN LAMP                         | From 4371...                       |
| 318        | 0660806401          | 007055           | PORTALAMPADA                                     | LAMP HOLDER                          |                                    |
| 319        | 0508896801          | 007081           | FARFALLA   | CLOSER                               |                                    |
| 320        | 0680802300          | 0C5501           | MOTORIDUTTORE                                    | MOTOREDUCER                          |                                    |
| 320        | 0680802400          | 0C5502           | MOTORIDUTTORE                                    | MOTOREDUCER                          | For 60Hz Version                   |
| 321        | 0856832702          | 0C5525           | ASTA   | SHAFT                                |                                    |
| 322        | 0543828600          | 007053           | GUARNIZIONE                                      | GASKET                               |                                    |

| <b>10 GN 1/1 ELECTRIC CONVECTION / STEAMER OVEN</b><br><b>FORNO CONVEZIONE / VAPORE ELETTRICO 10 GN 1/1</b> |                     |                  |                             |                           |                               |
|---|---------------------|------------------|-----------------------------|---------------------------|-------------------------------|
| <i>Pos</i>  | <i>Factory Code</i> | <i>6DGT Code</i> | <i>Descrizione</i>          | <i>Description</i>        | <i>Ref./Note</i>              |
| 323   | 0831855200          | 0C5528           | CONDOTTO ARIA               | DUCT, AIR                 |                               |
| 324   | 0624811000          | 0C4106           | VENTILATORE                 | FAN                       |                               |
| 325   | 0694605400          | 049303           | FILTRO ANTIDISTURBO         | FILTER                    |                               |
| 326   | 0639808600          | 0F0112           | MORSETTIERA                 | TERMINAL BOARD            |                               |
| 326   | 0639813100          | 0C6028           | MORSETTIERA                 | TERMINAL BOARD            | For 200V Version              |
| 327   | 0694604400          | 047541           | CONDENSATORE 12.5 Mf        | CAPACITOR                 | For Level TOUCH, B            |
| 327   | 0694806000          | 0C5526           | CONDENSATORE 8 Mf           | CAPACITOR                 | For Level C ,K                |
| 328   | 0624400100          | 0C6400           | TRASFORMATORE               | TRANSFORMER               |                               |
| 328   | 0624807100          | 007046           | TRASFORMATORE               | TRANSFORMER               | For 200V Version              |
| 328   | 0624807700          | 0C0949           | TRASFORMATORE               | TRANSFORMER               | For Marine Version            |
| 329   | 0648803001          | 058857           | RELE                        | RELE                      |                               |
| 329   | 0648722900          | 088267           | RELE                        | RELE                      | For 60Hz Version              |
| 330   | 0624807002          | 007047           | ALIMENTATORE SWITCHING      | SWITCHING FEEDER          |                               |
| 331   | 0648807300          | 088477           | CONTATTORE K3-10A           | CONTACTOR K3-10A          | For 400V Version              |
| 331   | 0648807400          | 006879           | CONTATTORE K3-18A           | CONTACTOR K3-18A          |                               |
| 331   | 0648807700          | 007080           | CONTATTORE K3-32A           | CONTACTOR K3-32A          | For 230V; 200V; 208V;<br>240V |
| 331   | 0648613200          | 0L0355           | CONTATTORE K3-24A00         | CONTACTOR K3-24A00        | For 480V                      |
| 331   | 0648400000          | 088557           | CONTATTORE K1-09D10         | CONTACTOR K1-09D10        | For 480V                      |
| 332   | 0509803900          | 0C4459           | RIFLETTORE                  | REFLECTOR                 |                               |
| 333   | 0648802601          | 056466           | INT MAGNETO TERMICO         | MAGN. THERM. SWITCH       | For Marine Version            |
| 334   | 0624400000          | 0C6945           | TRASFORMATORE               | TRANSFORMER               | For USA models                |
| 335   | 0648802601          | 056466           | RELE                        | RELE                      | For 60Hz Version              |
| 336   | 0543843500          | 0C5451           | GUARNIZIONE                 | GASKET                    |                               |
| 337   | 0646814900          | 0C2983           | LIMITATORE, BOILER          | LIMITATORE, BOILER        | For Level TOUCH, B            |
| 338   | 0546400200          | 0C6547           | VASCHETTA USB               | USB PLUG                  | for TOUCH level               |
| 339   | 0541400A00          | 0C6546           | COPERTURA USB               | USB COVER                 | for TOUCH level               |
| 342   | 0675858601          | 0C8033           | TASTO ON-OFF (INTER.PRINC)  | ON-OFF (MAIN SWITCH)      |                               |
| 343   | 0648722900          | 088267           | RELE SICUREZZA              | SECURITY RELE             | For TOUCH level               |
| 344   | 0831851002          | 0C4934           | ASSIEME FILTRO CRUSCOTTO    | ASS. FILTER CONTROL PANEL |                               |
| 345   | 0549400F00          | 0C9991           | FILTRO CRUSCOTTO            | FILTER CONTROL PANEL      |                               |
|   |                     |                  | <b>Pagina 6</b>             | <b>Page 6</b>             |                               |
| 400   | 0831849200          | 0C4862           | PORTATEGLIE DX P60          | TRAY SUPPORT DX P60       | For P 60 Version              |
| 400   | 0831852400          | 0C5015           | PORTATEGLIE DX P80          | TRAY SUPPORT DX P80       | For P 80 Version              |
| 401   | 0831848900          | 0C4861           | PORTATEGLIE SX P60          | TRAY SUPPORT SX P60       | For P 60 Version              |
| 401   | 0831852300          | 0C5014           | PORTATEGLIE SX P80          | TRAY SUPPORT SX P80       | For P 80 Version              |
| 402   | 0806872800          | 0C4961           | SUPPORTO CON S.G.           | SUPPORT S.G.              |                               |
| 403   | 0511828100          | 0C5620           | SUPPORTO                    | SUPPORT                   |                               |
| *   | 0527839102          | 0C1567           | ELEM. DX PER STRUTTURA      | DX ELEMENT                | For Marine Version            |
| *   | 0527839202          | 0C1568           | ELEM. SX PER STRUTTURA      | SX ELEMENT                | For Marine Version            |
| *   | 0853852705          | 0C3458           | ASS.STR. PORTATEGLIE        | TRAY SUPPORT              | For Marine Version            |
|   |                     |                  | <b>SONDE DI TEMPERATURA</b> | <b>TEMPERATURE PROBES</b> |                               |
|   | 0830400N00          | 0C7028           | SONDA CELLA 500mm ROSSA     | CAVITY PROBE 500mm RED    |                               |
|   | 0830899001          | 0C0325           | SONDA BOILER 800mm AZZURRA  | BOILER PROBE 800mm BLUE   | for Level TOUCH e B           |
|   | 0830899101          | 0C6539           | SONDA BYPASS 1100 BIANCO    | BYPASS PROBE 1100mm WHITE | for Level TOUCH e B           |